



Local Supplier:

Anchor Data Systems (NI) Ltd

Unit 36 North City Business Centre, Duncairn Gardens, Belfast, Co. Antrim, BT15 2GG

Tel: 028 9074 0315 Email: enquiries@AnchorData.co.uk Web: www.AnchorData.co.uk



**Voyager<sup>BT</sup>** is a wireless, laser bar code scanner designed for low to medium throughput Point of Sale (POS) or light warehouse applications where the convenience of a wireless hand held scanner is needed.

## MS9535 Voyager<sup>BT</sup>™

### Features

- Cable-free scanning using Bluetooth™ technology
- CodeGate® data transmission technology ideal for menu scanning
- Up to 14,000 scans per charge
- Adjustable volume and beeper tone
- Stylish recharging station, wall or countertop mounting
- 10 meter (33') working range
- Supports commonly used interfaces including USB
- Easy programming using Windows software or bar codes
- Decodes RSS-14, RSS Limited and RSS Expanded bar codes

**Metrologic's Voyager<sup>BT</sup>** offers convenience and the freedom of mobility by incorporating Bluetooth wireless technology. This latest member of the Voyager Series continues the trend of combining patented technology, high performance, and a futuristic design.

Voyager<sup>BT</sup> provides a lightweight, comfortable, and easy to use scanning solution. The patented CodeGate feature remains at the core of the scanner's functionality. The scanner wakes with a touch of the CodeGate button activating the IR sensor. After scanning a bar code, simply press the CodeGate button and the data is transmitted wirelessly to the host. Operators will find the brightly-lit laser easy to see and to line up on a

desired bar code making Voyager<sup>BT</sup> perfect for menu scanning applications.

Scanning large or heavy products can be done quickly and easily. Voyager<sup>BT</sup> offers check-out personnel the ability to scan bulky items without the need for unnecessary heavy lifting by customers or check out personnel, making for added convenience.

Voyager<sup>BT</sup> includes the ability to decode Reduced Space Symbology (RSS) bar codes. Voyager<sup>BT</sup> can be used in applications including supermarkets, hypermarkets, warehouse shopping clubs, retailers, light warehouse and manufacturing.



# MS9535 Voyager<sup>BT</sup>™

## OPERATIONAL

Light Source	Visible Laser Diode 650 nm ± 10 nm
Laser Power	0.96 mW (peak)
Depth of Scan Field	0 mm - 203 mm (0" - 8") for 0.33 mm (13 mil) bar codes
Width of Scan Field	64 mm (2.5") @ face; 249 mm (9.8") @ 203 mm (8.0")
Scan Speed	72 ± 2 scan lines per second
Scan Pattern	Single scan line
Minimum Bar Width	0.127 mm (5.0 mil)
Decode Capability	Autodiscriminates all standard 1-D and RSS-14 bar codes; for other symbologies call Metrologic
System Interfaces	PC Keyboard Wedge, RS232, Light Pen Emulation, Stand Alone Keyboard, USB (low speed and full speed)
Print Contrast	35% minimum reflectance difference
Number Characters Read	Up to 80 data characters
Roll, Pitch, Yaw	42°, 68°, 52°
Beeper Operation	7 tones or no beep
Indicators (LED)	Blue = laser on, ready to scan; yellow = in stand/battery state mode active; White = good read

## MECHANICAL

Height	Scanner: 198 mm (7.8"); Base: 204 mm (8.0")
Depth	Scanner: 40 mm (1.6"); Base: 61 mm (2.4")
Width	Scanner: Handle: 45 mm (1.8"); Head: 78 mm (3.1"); Base: 107 mm (4.2")
Weight	Scanner (with battery): 200 g (7.05 oz)
Termination	Base station: 10 pin modular RJ45
Cable	Base station: 2.1 m (7') straight

## ELECTRICAL

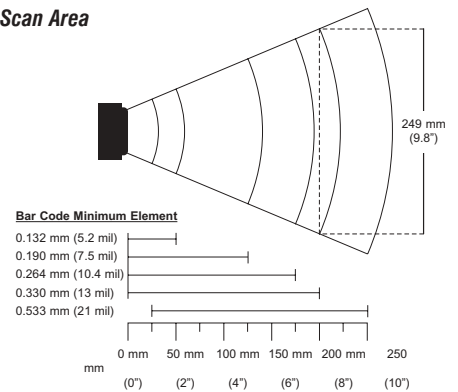
Input Voltage	Scanner: 3.7 VDC ± 0.25 V; base station: 5 VDC ± 0.25 V
Power - Operating	Scanner: 1.1 W; base station: 500 mW
Power - Standby	Scanner: 140 mW
Current - Operating	Scanner: 290 mA (max) @ 5 VDC; base station: 100 mA (max) @ 5 VDC
Current - Standby	Scanner: 37 mA typical @ 5 VDC
DC Transformers	Scanner: none; base station: Class 2; 5.2 VDC @ 650 mA
Laser Class	CDRH: Class II; IEC 60825-1:1993+A1:1997+A2:2001
EMC	FCC, ICES-003 & EN55022 Class B
Battery Capacity/Recharge Time	14000 scans per charge/recharge time=2.5 hrs
Radio Range	10 m (33 ft)

Operating Temperature	0°C to 40°C (32°F to 104°F)
Storage Temperature	-40°C to 60°C (-40°F to 140°F)
Humidity	5% to 95% relative humidity, non-condensing
Light Levels	Up to 4842 Lux (450 footcandles)
Shock	Designed to withstand 1.5 m (5') drops
Contaminants	Sealed to resist airborne particulate contaminants
Ventilation	None required

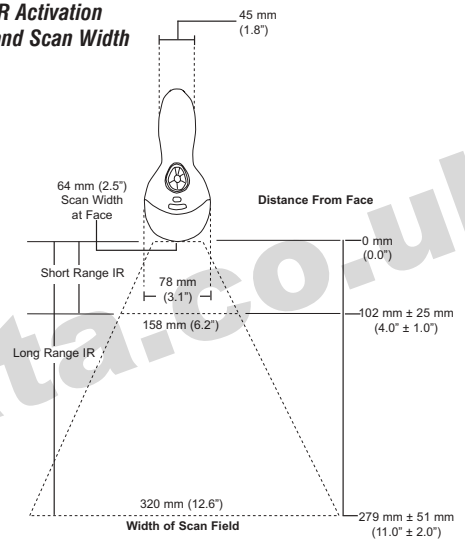
Voyager<sup>BT</sup> is available in the following colors



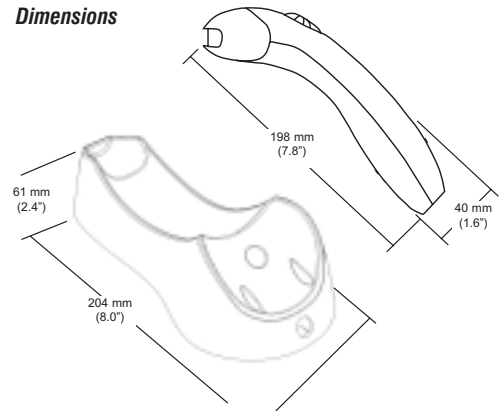
## Scan Area



## IR Activation and Scan Width



## Dimensions



Specifications subject to change without notice.  
Printed U.S.A., Copyright January 2003  
Metrologic, All rights reserved.



DS9535

## EUROPEAN REGIONAL OFFICES

**Eastern Europe, Middle East & Africa**  
Metrologic Instruments GmbH  
Tel: +49 (0) 89 89 019 222  
Fax: +49 (0) 89 89 019 173  
Email: info@east.metrologic.com  
www.europe.metrologic.com

**France**  
Metrologic Eria France SA  
Tel: +33 (0) 1 48.63.78.78  
Fax: +33 (0) 1 48.63.24.94  
Email: info@fr.metrologic.com  
www.europe.metrologic.com

**Germany**  
Metrologic Instruments GmbH  
Tel: +49 (0) 89 89 019 0  
Fax: +49 (0) 89 89 019 200  
Email: info@de.metrologic.com  
www.metrologic-instruments.de

**Italy**  
Metrologic Instruments Italia Srl  
Tel: +39 0 51 6511978  
Fax: +39 0 51 6521337  
Email: info@it.metrologic.com  
www.metrologic.it

**Spain**  
Metrologic Eria Ibérica SL  
Tel: +34 91 327 24 00  
Fax: +34 91 327 38 29  
Email: info@es.metrologic.com  
www.metrologic.es

**United Kingdom**  
Metrologic Instruments UK  
Tel: +44 (0)1256 365900  
Fax: +44 (0)1256 365955  
Email: info@uk.metrologic.com  
www.metrologic.co.uk

**USA**  
Metrologic Instruments, Inc.  
Tel. 1-800-ID-METRO  
Fax 1-856-228-6673  
Email: info@metrologic.com

**South America**  
Metrologic South America  
Tel. 5511-5505-6568  
Fax 5511-5505-1681  
Email: info@sa.metrologic.com

**Brazil (only)**  
Metrologic do Brasil Ltda.  
Tel. 5511-5505-2396  
Fax 5511-5507-2301  
Email: info@br.metrologic.com

**Asia**  
Metrologic Asia (Pte) Ltd.  
Tel. 65-842-7155  
Fax 886-3-2888292  
Email: info@sg.metrologic.com

**China (only)**  
Metro (Suzhou) Technologies Co.Ltd  
Tel: 86-512-2572511  
Fax: 86-512-2571517  
Email: info@cn.metrologic.com

**Metrologic**  
IDENTIFYING SOLUTIONS