

AP series

Price Computing Scale

- 28 Preset Pricing Keys
- Accumulator Feature
- Standard Pole Display
- Deli, Cafeteria, Candy



CAS



AP series Price Computing Scale

FEATURES

Function	Model	MX	MS	EX	EC
Direct Memory		M1~M5	M1~M7	28 PLU	28 PLU
Memory Manipulation		MW/MR	MW	MW/MR	MW
FAD (Fixed price item Add-Up)		○		○	
Pay Back		○		○	
TTP Correction Cancel				○	
TTP Call		○	○	○	
ADD		○	○	○	
MODE				○	
EURO					○
TEST			○		○
ZERO, TARE		○	○	○	○
Vacuum Fluorescent Display		○	○	○	○
Aluminum Die Casting Body Case & Plastic Upper Case		○	○	○	○

SPECIFICATIONS

Model	AP Series
Weighing Capacity	6×0.002kg, 15×0.005kg, 30×0.01kg
Display Digit	6 / 5 / 6 (7 / 5 / 6) (Total price / Weight / Unit price)
Display Designators	Zero and Net
Power Source	AC 110/120/220/240V, 50/60Hz
Power Consumption	Approx. 10W
Operating Temperature	-10°C ~ +40°C
Platter Size (mm)	340(W)×215(D)
Product Size (mm)	435(W)×325(D)×495(H)
Product Weight	6.5kg

OPTIONS

- Display on the Rear Center
- Large Platter : 440(W)×275(D)×50(H) mm



MS



EC

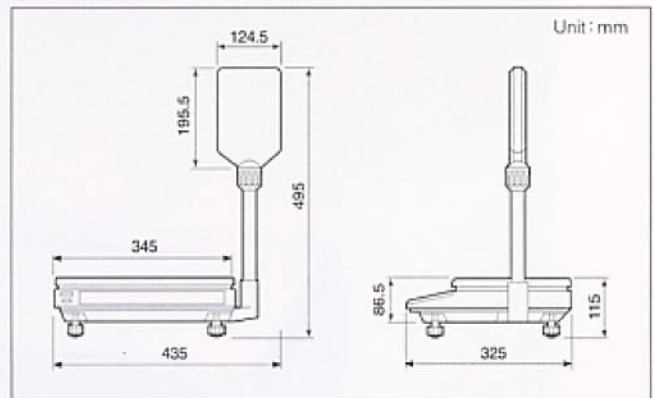


Display on The Rear Center



Large Platter

DIMENSIONS



CAS

CAS BLDG., # 440-1, SUNGNAE-DONG,
GANGDONG-GU, SEOUL, KOREA
TEL : 82-2-2225-3500
FAX : 82-2-475-4668
<http://www.cas.co.kr>

Specifications are subject to change for improvement without prior notice.

Anchor Data Systems (NI) Ltd

Unit 36 North City Business Centre
Duncairn Gardens, Belfast, BT15 2GG

Tel: 028 9074 0315 www.AnchorData.co.uk